

Carbon and GFO Media Reactor – XS / Standard / XL / XXL

Installation Guide

Please open the package carefully and check for damaged or lost parts.

Parts Included

- (1) Main media reactor body and lid
- (2) ½" & ¾" inlet/outlet hosebarbs
- (3) Two Sponges

Models & Capacities

XS

- Carbon: up to 1.5 cups (treats up to 65 gallons)
- GFO: up to 1.5 cups (treats up to 100 gallons)

Standard

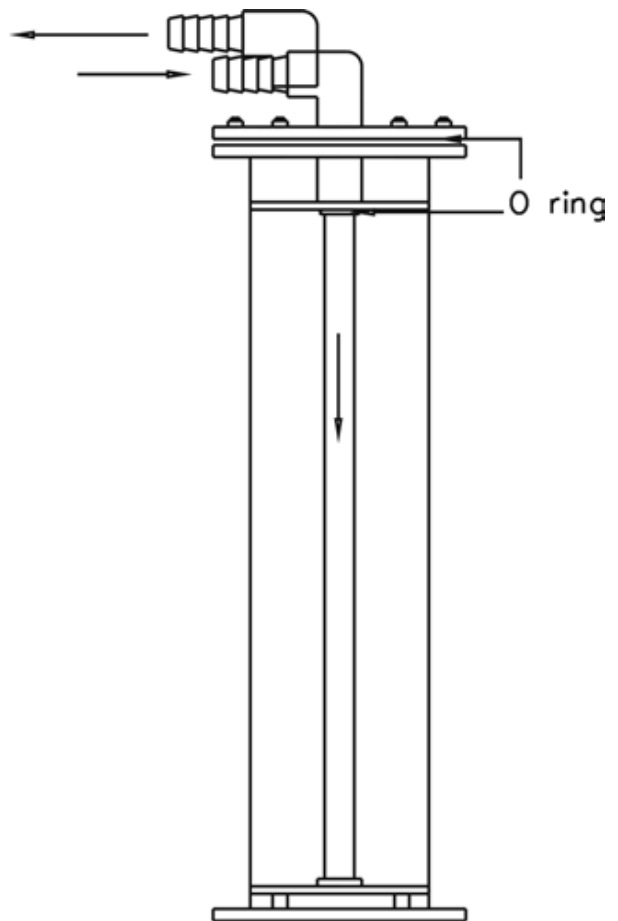
- Carbon: up to 3 cups (treats up to 150 gallons)
- GFO: up to 3 cups (treats up to 250 gallons)

XL

- Carbon: up to 6 cups (treats up to 300 gallons)
- GFO: up to 6 cups (treats up to 500 gallons)

XXL

- Carbon: up to 2 x 6 cups (treats up to 600 gallons)
- GFO: up to 2 x 6 cups (treats up to 1000 gallons)



Assembling The Main Unit

1. To open the lid, loosen the (6) thumb screws. Turn lid counterclockwise to release.
2. Remove the upper media plate.
3. Insert the clear tube with the attached lower plate and a filter sponge into the reactor.
4. Make sure the sponge is all the way at the bottom of the reactor, flush against the plate – otherwise the media may leak past it when filling.
5. Temporarily block the top of the central tube to stop media going down.
6. Pour your media into the body chamber. For media designed to be fully fluidized, the reactor should be filled no more than two-thirds full to allow the media room to move around. With heavy or fine media, you may need to add less.
7. Press down firmly onto the center of the reactor, seating into the fitting on the underside of the lid.
8. Slide the sponge and upper media plate onto the tube until it touches the stopper ring. The plenum may fit snugly, please use caution when sliding it on.
9. Replace the reactor lid, turn clockwise and gently tighten the thumb screws. Tighten the screws in a star pattern to evenly secure the lid. CAUTION: DO NOT OVER TIGHTEN THE SCREWS.
10. The fitting in the center of the lid is the water inlet; the fitting offset to one side is the outlet. Do not over-tighten nut when installing. Connect the Inlet and outlet hose to Inlet and outlet fitting of the lid.

Recommendations

1. While we take great care to keep any contaminants away from our products during assembly, please take a moment to clean the reactor and plumbing before attaching to your tank. Only clean your reactor with warm water. Never clean Acrylic with alcohol based products. Use caution when handling as acrylic scratches easily.
2. Please keep in mind that a media reactor is intended to be a bypass filter, and is not designed to handle the complete flow and pressure requirements of a large aquarium system.
3. Some media (such as phosphate control products) is not designed to be aggressively fluidized in a reactor – please read the instructions on your media carefully.
4. The reactor should be cleaned out every time that the media is replaced ensuring that there is no media below the bottom plate.

For addition FAQ's and trouble-shooting tips, please visit our website: www.aquamaxxaquariums.com

Warranty

AquaMaxx warrants all AquaMaxx products to be free from manufacturing defects for one year from the original purchase date when purchased through an authorized AquaMaxx retailer. This warranty does not cover any damages caused by misuse, neglect, alterations or improper handling / transport / maintenance / installation. Physical damages are not covered by warranty. AquaMaxx does not cover personal injury, personal loss, or other damages associated with the use of our products. In order to request warranty service, please email us at info@aquamaxxaquariums.com. A purchase receipt is required for any warranty service. Products requiring warranty service must be returned to AquaMaxx. You are responsible for the cost of shipping a warranty claim to AquaMaxx and any damages that may occur during transit. Once a returned product has been inspected, it will be repaired or exchanged at our discretion and returned to you. International and/or expedited shipping are not covered under your AquaMaxx warranty.